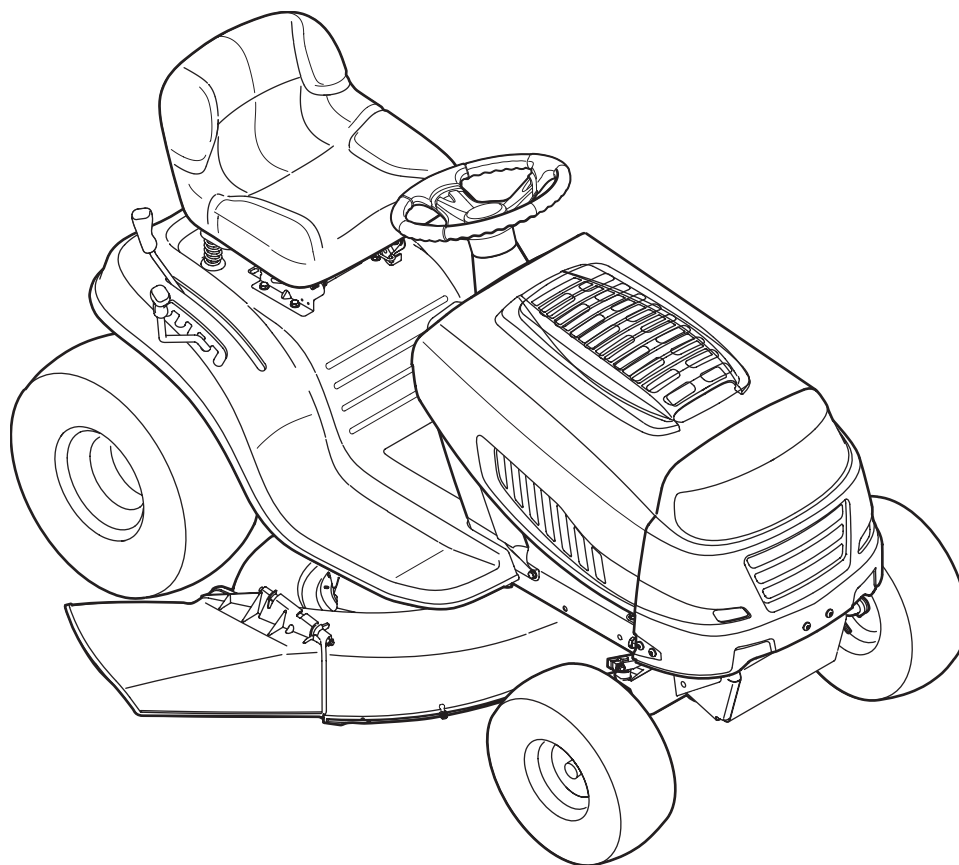
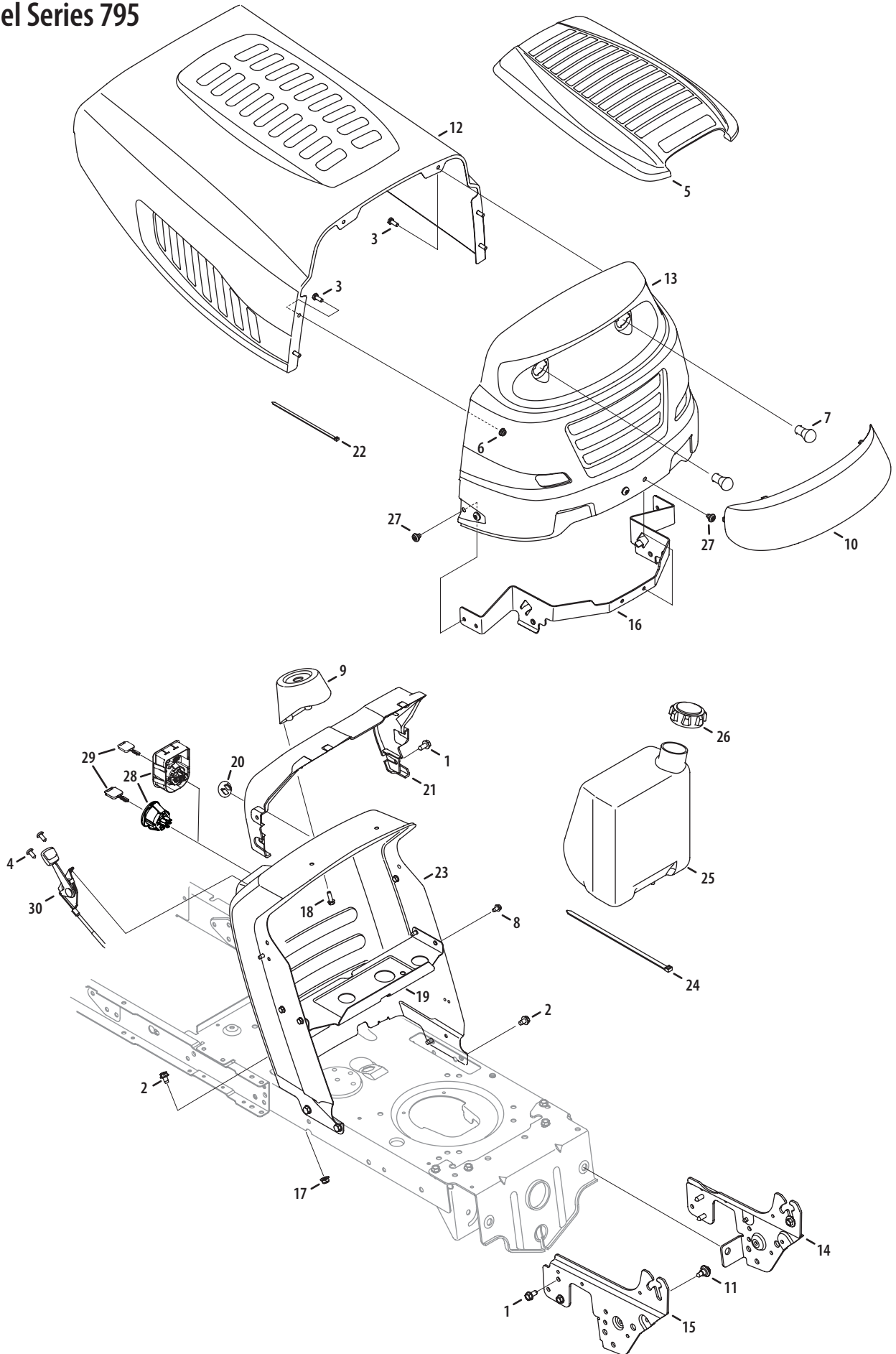

ILLUSTRATED PARTS MANUAL



Hydrostatic Lawn Tractor — Model Series 790

MTD LLC, P.O. BOX 361131 CLEVELAND, OHIO 44136-0019

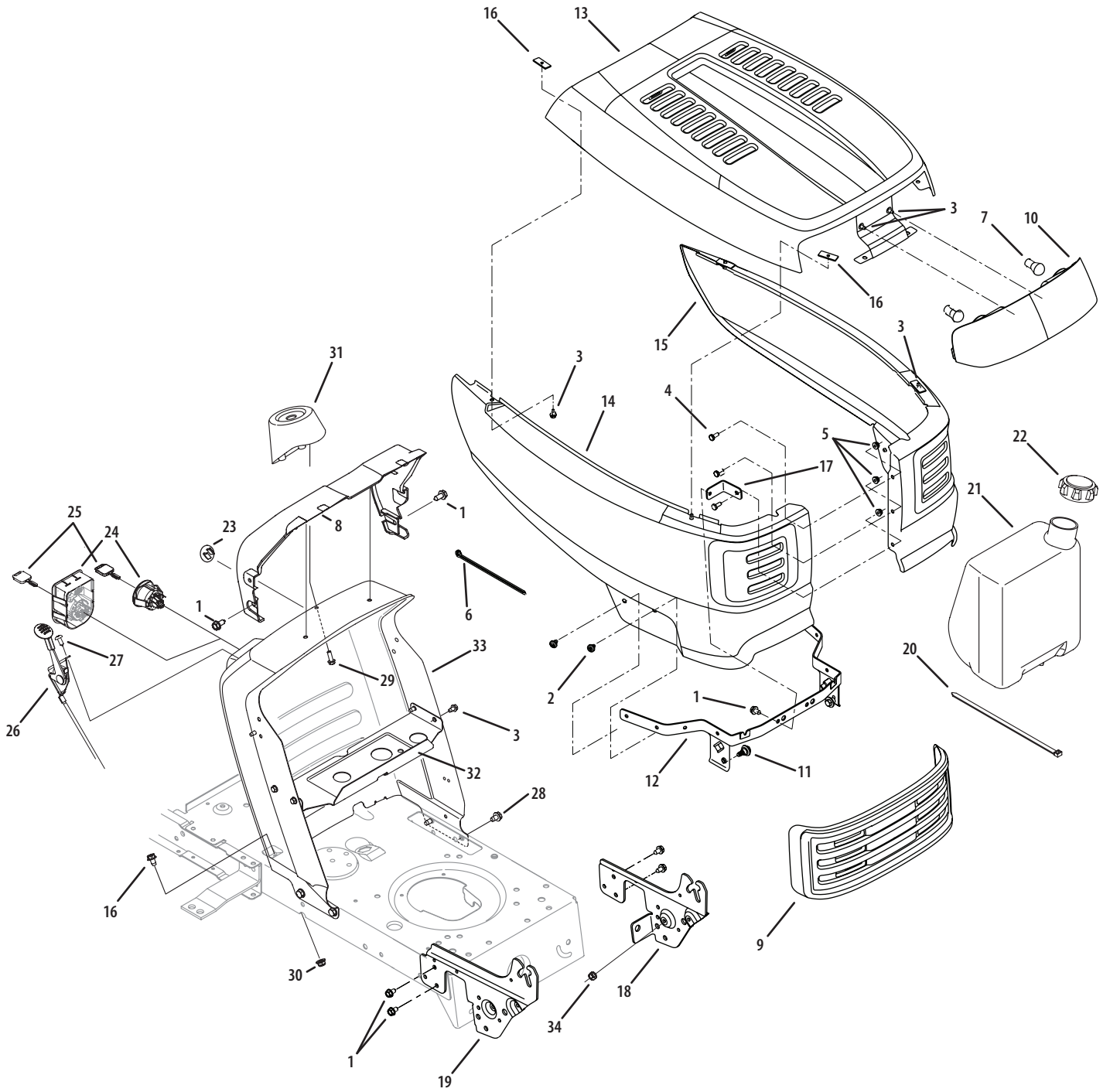
Model Series 795



Ref. No.	Part No.	Description	Ref. No.	Part No.	Description
1	710-04484	Self-Tapping Screw 5/16-18 x .750	20	731-05265	Dash Plug
2	710-0604A	Screw, 5/16-18, 0.625	21	731-05078C	Collar, Dash
3	710-0751	Screw, 1/4-20, .620, Gr5	22	725-0157	Cable Tie
4	710-04483	Screw, 1/4-20, .500	23	783-04873	Dash Assembly (No RMC)
5	731-05522A	5-Style Hood Cover		783-04892	Dash Assembly (RMC)
6	712-04064	Nut, Flange Lock, 1/4-20, Gr5	24	726-0230	Cable Tie, 34.75
7	725-0963	Headlamp, 12V	25	751-0555B	Fuel Tank, 1.5 gal.
8	710-0599	Screw, 1/4-20, 0.500	26	751-0603	Fuel Tank Cap
9	731-04945	Support, Steering	27	710-04593	Self-Tapping Screw 5/16-18 x .375
10	731-04949A	Lens	28	725-04659	Ignition, Switch (No RMC) 3 Pos.
11	738-04091A	Screw, Shoulder, .43 x.29, 5/16-18		725-1741	Ignition, Switch (No RMC) 4 Pos.
12	783-05683	Hood Style 5		725-04227B	Ignition, Switch (RMC)
13	783-05685	Grille Style 1	29	725-1744A	Key
14	783-05327B	Pivot Bracket, LH	30	746-04364	Throttle/Choke Control, 25"
15	783-05328A	Pivot Bracket, RH	—	725-04566	Wire Harness (No RMC) 3 Pos.
16	783-05454	Pivot Bracket, Grille	—	725-04433A	Wire Harness (No RMC) 4 Pos.
17	712-04063	Flange Lock Nut 5/16-18	—	777X41984	Headlight Lens Reflector (5 Style)
18	710-0895	Screw, 1/4-15, 0.750	—	777X42188	Headlight Lens Reflector RH (T Style)
19	783-04584	Gas Tank Support Bracket	—	777X42187	Headlight Lens Reflector LH (T Style)

NOTE: Tractor features vary by model. NOT all parts listed above and pictured on the previous page are standard equipment.

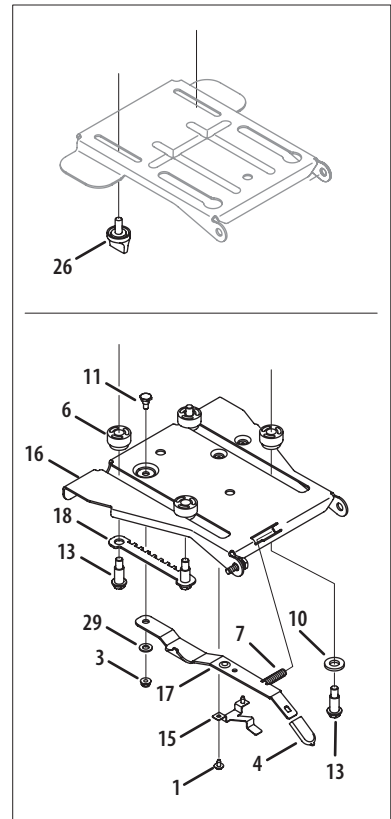
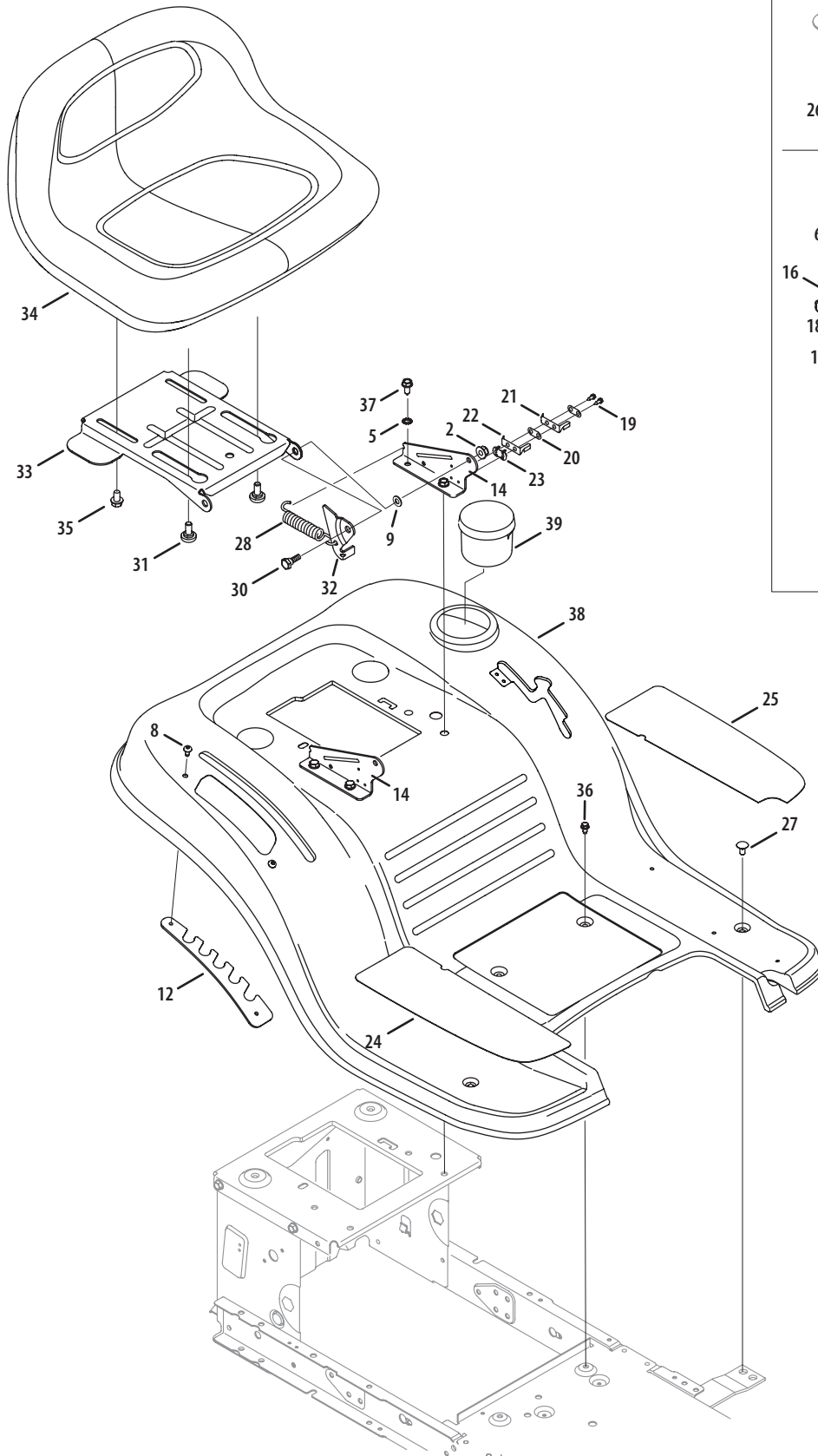
Model Series 79T



Ref. No.	Part No.	Description
1	710-04484	Screw, 5/16-18, 0.750
2	710-04593	Screw, 5/16-18, 0.375
3	710-0599	Screw, 1/4-20, 0.500
4	710-0751	Screw, 1/4-20, .620, Gr5
5	712-04064	Nut, Flange Lock, 1/4-20, Gr5
6	725-0157	Cable Tie, 3/16 x .05 x 7.4
7	725-0963	Headlamp, 12V
8	731-05078C	Dash Collar
9	731-06358	T-Style Grill Insert
10	731-06414	Lens, T-Style
11	738-04091A	Screw, Shldr, .43 x .29, 5/16-18
12	783-04606B	Pivot Bracket, Hood
13	783-04827	Hood
14	783-04828	Side Panel, RH
15	783-04967	Side Panel, LH
16	783-05223	Hood Fastener, T-Style
17	783-05315	Front Hood Bracket
18	783-05327B	Hood Pivot Bracket, LH
19	783-05328A	Hood Pivot Bracket, RH
20	726-0230	Cable Tie, 34.75
21	751-0555B	Fuel Tank, 1.5 gal.
22	751-0603	Fuel Tank Cap
23	731-05265	Choke Plug
24	725-04659	Igntion, Switch (No RMC) 3 Position
	725-1741	Igntion, Switch (No RMC) 4 Position
	725-04227B	Igntion, Switch (RMC)
25	725-1744A	Key
26	746-04364	Throttle/Choke Control, 25.0
27	710-04483	Screw, 1/4-14, .500
28	710-0604A	Screw, 5/16-18, 0.625
29	710-0895	Screw, 1/4-15, 0.750
30	712-04063	Flange Lock Nut 5/16-18
31	731-04945	Support, Steering
32	783-04584	Gas Tank Support Bracket
33	783-04873	Dash Assembly
—	725-04567	Wire Harness (No RMC) 3 Position
—	725-04432A	Wire Harness (RMC)
—	725-04433A	Wire Harness (No RMC) 4 Position
—	725-04566	Wire Harness (No RMC) 3 Position Kohler
—	777X42187	Headlight Lens Reflector LH

NOTE: Tractor features vary by model. NOT all parts listed above and pictured on the previous page are standard equipment.

Model Series 700

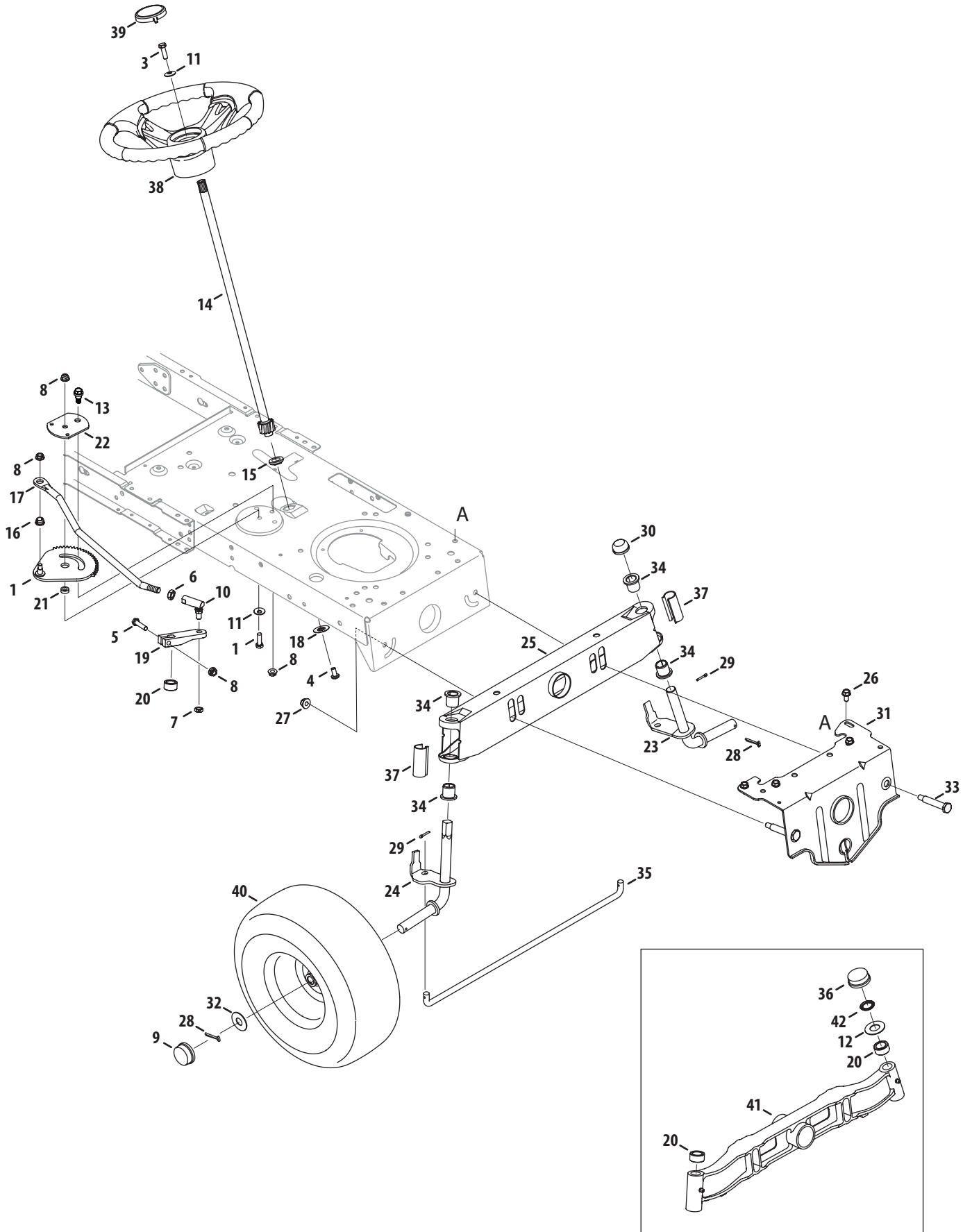


Model Series 700

Ref. No.	Part No.	Description
1	710-1268	Screw, #10-16, .375
2	712-04063	Nut, Flange Lock, 5/16-18, GrF
3	712-04064	Nut, Flange Lock, 1/4-20
4	720-0309A	Seat Adjuster Grip
5	736-0607	Lock Washer, 5/16
6	731-04074	Spacer
7	732-0499	Compression Spring, .41 x 1.5
8	710-04483	Screw, 1/4-20 x .500
9	736-0242	Wash, Bell, .340 x .872 x .060
10	736-3019	Wash, Flat, .531x 1.062 x.134
11	738-0137A	Screw, Shlder, .340 x .285,1/4-20
12	783-04843	Lift Adjustment Bracket
13	738-0966A	Screw, Shlder, .50 x .925, 3/8-16
14	783-1489C	Mounting Bracket, Seat
15	783-0611	Seat Stop
16	783-0738D	Seat Pivot Bracket
17	783-0739A	Seat Adjustment Lever
18	783-0753	Seat Adjustment Selector
19	710-0227	Screw, #8-18 x .50
20	726-0279	Plate, Insulator
21	725-1303	Spring Switch, Outer
22	725-1439	Spring Switch, Inner
23	726-0278	Plate, Insulator Boss
24	723-04025	Foot Pad, Abrasive, RH

Ref. No.	Part No.	Description
	735-04048	Foot Pad, Rubber RH
25	723-04026	Foot Pad, Abrasive, LH
	735-04047	Foot Pad, Rubber LH
26	720-04061	Knob, 3/8-16, .875
27	710-0134	Carriage Screw, 1/4-20 x .62
28	732-1184	Spring, Exten., .84 Dia x 4.6 Lg.
29	736-0204	Wash, Flat, .344 x .62 x .033
30	738-0296	Scr., Shlder, .437 x .268, 5/16-18
31	738-04012A	Screw, Shlder, .625 x .175, 3/8-16
32	783-0209D	Lift Bracket, Seat
33	783-04081B	Pivot Bracket, Seat
34	757-04001A	Seat, Low, Black
	757-04037	Seat, Medium, Black
	757-04011	Seat, Medium, Yellow
	757-04003A	Seat, High Back, Black
	757-04075	Seat, High Back, Gray
35	710-04482	Screw, 3/8-16, .875
36	710-0599	Screw, 1/4-20, 0.500
37	710-04484	Screw, 5/16-18, 0.750
38	783-04593B	Fender, Hydrostatic
39	731-04591A	Cup Holder
40	736-0300	Flat Washer, .406 x .875 x .059
	736-0140	Flat Washer, .395 x .62 x .063
—	726-04072A	Ratchet Clip <i>(For use w/ rubber foot pad)</i>

Model Series 700

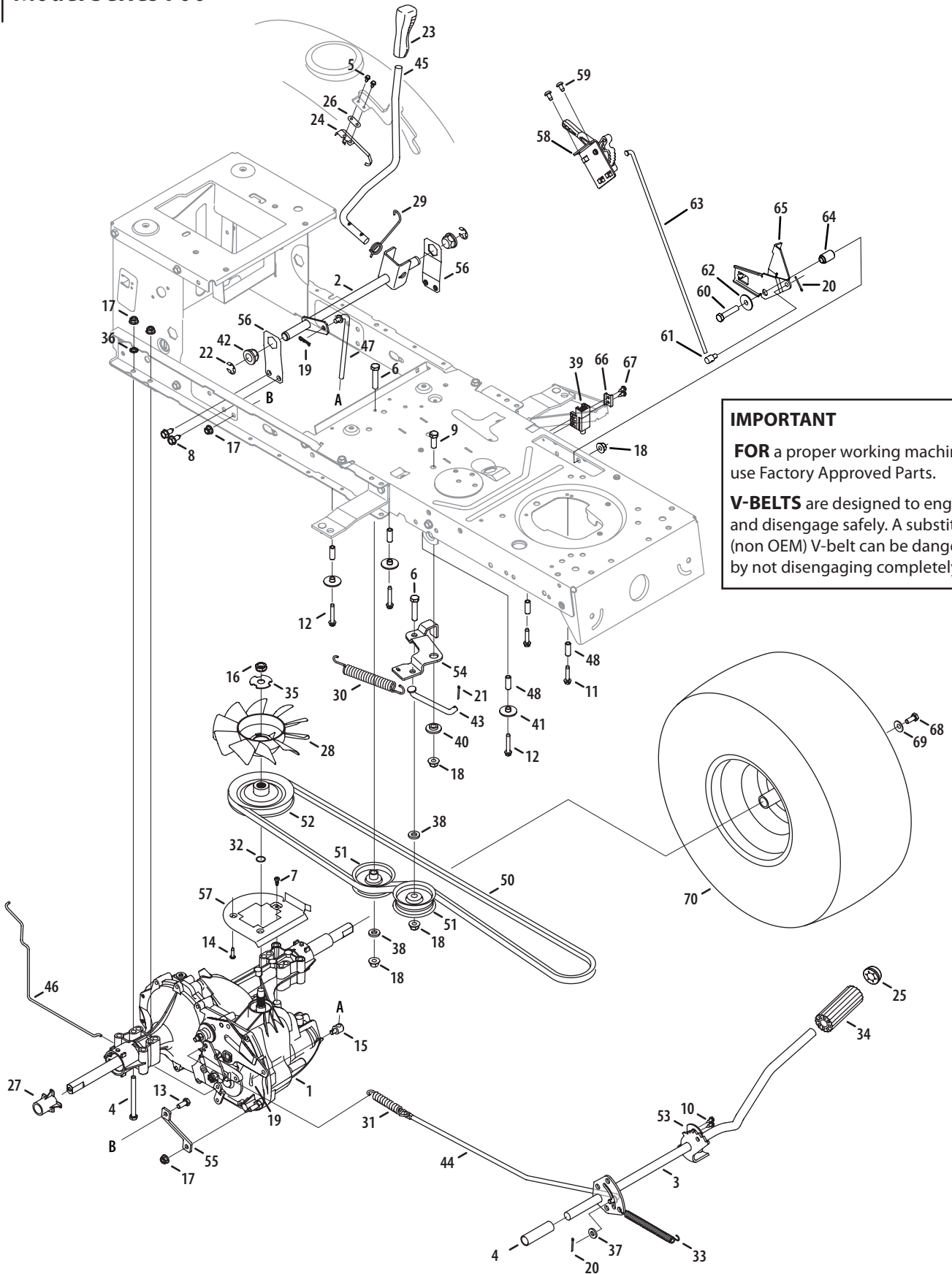


Model Series 700

Ref. No.	Part No.	Description	Ref. No.	Part No.	Description
1	617-04024	Gear Assembly, Steering	25	683-0128B	Pivot Bar
2	710-0376	Screw, 5/16-18, 1.00, Gr5		719-04177A	Pivot Bar, Cast
3	710-0643	Screw, 5/16-18, 1.00, Gr5, Lock	26	710-04484	Screw, 5/16-18, 0.750
4	710-1309	Screw, Mach, 5/16-18, 0.750	27	712-04065	Nut, Flange Lock, 3/8-16, GrF
5	710-3180	Screw, 5/16-18, 1.75, Gr5	28	714-04039	Pin, Cotter, 5/32, 1.25
6	712-0240	Nut, Jam, 7/16-20, Gr2	29	714-0474	Pin, Cotter, 1/8 x 0.75
7	712-0262	Nut, Jam Lock, 3/8-24, Gr2	30	726-0341	Push Cap, 3/4
8	712-04063	Nut, Flange Lock, 5/16-18, Grf	31	783-05326	Pivot Bar Bracket
9	731-0484A	Hub Cap	32	736-0316	Washer, Flat, .78 x 1.59 x .060
10	723-0448A	Ball Joint, 7/16-20, Lock	33	738-04128	Scr., Shlder, .500 x 2.380, 3/8-16
11	736-0242	Washer, Bell, .340 x .872 x .060	34	741-0660A	Bearing, Flange, .760 x .941 x 1.0
12	736-0316	Washer, Flat, .78 x 1.59 x .60	35	747-04299A	Tie Rod
13	738-04141	Shoulder Screw, .435 x .3485, 5/16-18	36	731-04693	Push Cap
14	738-0919A	Steering Shaft, 5/8 Spline x 21.86	37	731-04057A	Axle End Cap, Standard
15	741-04124	Bearing, Flange, Hex 5/8	38	631-04028	Steering Wheel, Standard Grip
16	741-0475	Plastic Bushing .380 ID		631-04008A	Steering Wheel, Soft Grip
17	747-04298	Drag Link, Steering	39	731-04039	Cap, Steering Wheel (no logo)
18	748-0389	Cap, 1.25 x .16		731-04040	Cap, Steering Wheel (sprig logo)
19	748-04065	Steering, Block		731-04681	Cap, Steering Wheel (tine logo)
20	748-04068	Spacer, .710 ID x .125 OD x .56	40	634-04325	Wheel Ass'y, Round Shoulder
21	750-04418	Spacer, .322 ID x .625 OD x .21		734-04240A	Tire Only, 15 x 6 x 6, Round Shld.
22	783-04644	Stabilizer Plate, Gear Segment		634-04086	Wheel Ass'y, Square Shoulder
23	638-04007	Axle Assmby LH (38" & 42" Deck)		734-1731	Tire Only, 15 x 6 x 6, Square Shld.
	638-04013	Axle Assembly, LH (46" Deck)		634-04081	Rim Assembly (Incl. bearings & valve stem)
24	638-04008	Axle Assmby RH (38" & 42" Deck)	41	719-04177A	Pivot Bar, Cast
	638-04014	Axle Assembly, RH (46" Deck)	42	726-04035	Push Nut 3/4 Dia.

NOTE: Tractor features vary by model. NOT all parts listed above and pictured on the previous page are standard equipment.

Model Series 700



IMPORTANT
FOR a proper working machine, use Factory Approved Parts.
V-BELTS are designed to engage and disengage safely. A substitute (non OEM) V-belt can be dangerous by not disengaging completely.

Ref. No.	Part No.	Description
1	618-04198	Transmission Assembly, Hydro
2	647-04038A	Control Assembly, Hydrostatic
3	647-04054A	Pedal Assembly, Drive
4	710-0176	Hex Screw, 5/16-18, 2.75, Gr5,
	710-1266 †	Hex Screw, 5/16-18, 3.50, Gr5,
5	710-0227	Screw, #8-18, 0.500
6	710-0347	Hex Screw, 3/8-16, 1.75
7	710-0351	Screw, B, #10-16, 0.500
8	710-04484	Screw, 5/16-18, 0.750
9	710-0514	Hex Screw, 3/8-16, 1.00, Gr5
10	710-0604A	Screw, 5/16-18, 0.625
11	710-0809	Screw, 1/4-20, 1.250
12	710-1325	Screw, 1/4-20, 1.625
	710-1026 †	Screw, 1/4-20, 1.75
13	710-3008	Hex Screw, 5/16-18, .75, Gr5
14	710-3009	Screw, #10-24 x 0.75
15	711-04448	Ferrule, 5/16-24 x .312 Dia.
16	712-0346	Nut, Hex Lock, 1/2-20, Gr5
17	712-04063	Nut, Flange Lock, 5/16-18, Grf
18	712-04065	Nut, Flange Lock, 3/8-16, Grf
19	714-0104	Pin, Cotter, .072 Dia. x 1.13
20	714-0111	Pin, Cotter, 3/32, 1.0
21	714-3004	Pin, Cotter, 3/32 x 1.25
22	716-0106A	Ring, E-Type, .625 Dia.
23	720-0311	Grip, Handle, 1/2
24	725-04249	Spring Switch, Hydro
25	726-0214	Push Cap, 5/8
26	726-0320	Plate, Insulator Nut
27	731-05299	Sleeve, .765 x 1.50
28	731-06098	Fan, Hydro
29	732-04225	Spring, Torsion
30	732-04229	Spring, Extension, .75 OD x 6.02
31	732-0716C	Spring, Extension, .59 OD x 4.00
32	732-0729	Ring, Wire
33	732-0963	Spring, Extension, .50 Dia x 6.37
34	735-0239	Foot Pad, 4.0
35	736-04263	Hydro Trans Lock Washer
36	736-0607	Washer, Lock 5/16 Ext. Tooth
37	736-3008	Washer, Flat, .344 x .750 x .120
38	736-3010	Washer, Flat, .407x.812x.135

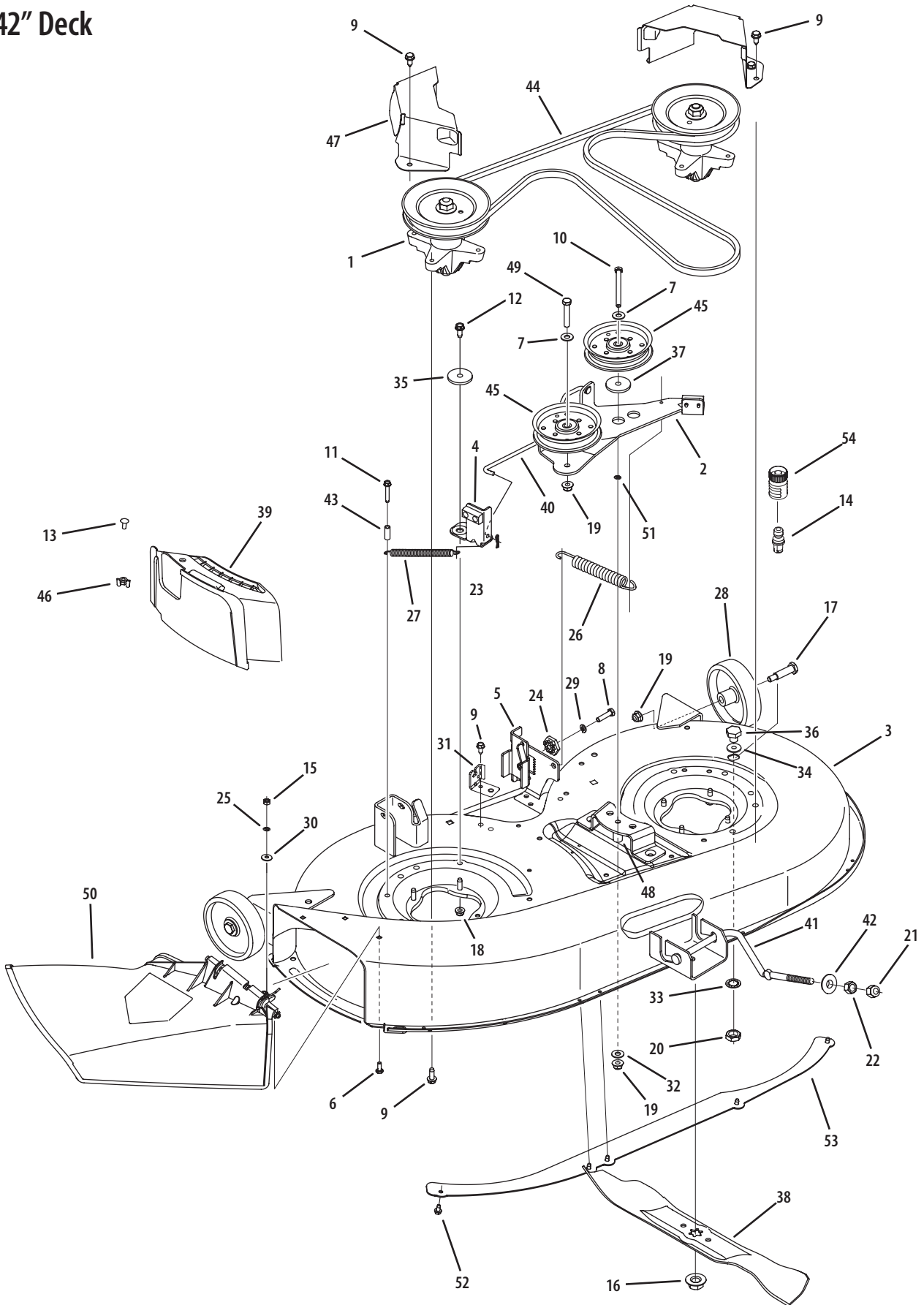
Ref. No.	Part No.	Description
39	725-04039	Switch, Interlock
40	738-0347	Spacer, Shoulder, .625 ID x .169
41	738-04178	Shoulder Spacer, .375 x .274
	736-0211 †	Washer, Flat, .285 x 1.25 x .06
42	741-0225	Bearing, Hex Flange
43	747-04283A	Declutching Rod
44	747-04286	Brake Rod, Hydrostatic
	747-04679†	Brake Rod, Hydrostatic 46" Deck
45	747-04296	Control Handle, Hydrostatic
46	747-04316	Bypass Rod, Hydrostatic
	747-04621†	Bypass Rod, Hydrostatic 46" Dk.
47	747-04407A	Control Rod, Hydrostatic
48	750-0566A	Spacer, .260 x .372 x 1.030
	750-04456†	Spacer, .260 x .372 x 1.420
49	750-0802	Spacer, .640 x .76 x 2.63
50	754-04074A	Belt, V-Type
51	756-04224	Idler Pulley, Flat 2.75 OD
52	756-04309	Pulley, Input, 5.0 Dia.
53	783-04536B	Support Bracket, Pedal
54	783-04570A	Idler Arm
55	783-04579A	Bracket, Torque
56	783-04585A	Mounting Bracket, Handle
57	783-04600A	Bracket, Support
58	683-04226	Lever, Parking Brake
59	710-04483	Screw, 1/4-14, 0.625
60	710-3144	Hex Screw, 3/8-16, 2.00
61	711-0736	Ferrule 1/4-20
62	736-0133	Washer, Flat, .411 x 1.25 x .100
63	747-04430	Control Rod
64	750-04465	Spacer, Flange, .390 x .671 x .95
65	783-04862	Latch Assembly, Engagement
	783-04903	Latch Assembly, Engagement (No RMC)
66	17962	Plate, Switch
67	728-04021	Pop Rivet, .187 dia.
68	710-0627	Screw, 5/16-24, .750, Gr5
69	736-0242	Bell Washer, .34 x .872 x .060
70	634-0104	Wheel Assembly
	734-1730	Tire, 20 X 8 X 8 SQ. Shoulder
	634-0070	Rim Assembly 8.0 X 7.0 X .750 ID

† 46" Deck Models only

Ref. No.	Part No.	Description	Ref. No.	Part No.	Description
1	683-04155A	Shaft Assembly Lift 38/42" Decks	30	732-04276A	Spring, Extension
	683-04334	Shaft Assembly Lift 46" Decks	31	736-0171	Washer, Lock, 7/16
2	712-04065	Nut, Flange Lock, 3/8-16, GrF	32	736-0322	Washer, Flat, .450 x 1.250 x .164
3	714-04043	Pin, Cotter .08 x 1.56 Intern. RH	33	738-04237A	Shoulder Screw, #10-16, 0.500
	714-0470	Pin, Cotter .080 x 1.25 Intern. LH	34	741-04119	Bearing, PTO
4	716-0106A	Ring, E-Type, .625 Dia.	35	746-04173B	Cable, Deck Engagement
5	720-0311	Grip, Handle, 1/2	36	750-0956	Spacer, 1.010 x 1.400 x .825 (36/42 Dk.)
6	732-04225	Spring, Torsion 38/42" Decks	37	756-04067A	Engine Pulley, 38" & 42" Deck
7	738-04130	Screw, Shldr. , .625 x .175, 3/8-16		756-04208A	Engine Pulley, 46" Deck
8	741-0225	Bearing, Hex Flange	38	683-04448	Hold Down Rod, Battery
9	747-04282	Deck Handle, Lift, 38/42" Decks	39	710-04666	Screw, Carriage, 1/4-20, .75, Gr5
10	747-04393	Rod, Lift	40	712-0271	Nut, Sems, 1/4-20
11	783-04494	Lift Arm, Deck - RH	41	725-1737A	Battery, 190 CCA
	783-04711	Lift Arm, Deck - LH		725-1704A	Battery, 125 CCA
12	710-0599	Screw, 1/4-20, 0.500	42	683-04195	Support Bracket Assembly
13	710-0604A	Screw, 5/16-18, 0.625	43	683-04450	Frame Assembly
14	712-04063	Flange Lock Nut, 5/16-18	44	710-0134	Carriage Screw, 1/4-20 x .62
15	720-0298	Grip, Handle, 5/8	45	710-04484	Screw, 5/16-18, .750
16	732-04438	Spring, Torsion 46" Deck	46	710-3008	Hex Screw, 5/16-18 x .75
17	732-0934	Extension Spring	47	712-04064	Nut, Flange Lock, 1/4-20, GrF
18	736-0140	Washer, Flat, .385 x .62 x .063	48	712-0429	Hex Lock Nut, 5/16-18
19	736-0226	Washer, Flat, .474 x .879 x .064	49	732-04035	Spring, Compr. , 1.28 OD x 3.125
20	738-0380	Bolt, Shldr. .500 x .270 3/8-16	50	736-0173	Flat Washer, .28 x .74 x .063
21	738-0754	Screw, Shldr. , .437 x .54	51	783-04548C	Seat Bracket, Frame
22	747-04653	Deck Handle, Lift, 46" Deck	52	783-04637	Bracket, Runing Board
23	783-04462	Lift Bracket	53	783-04753	Frame Support Bracket
24	783-05389	Frame Brace Bracket	54	783-04869A	Bracket, Battery
25	783-0678C	Deck Lift Link	55	725-04439	Solenoid
26	647-04096	Handle Assembly, PTO	56	725-04363	Switch, Interlock
27	710-04608	Screw, 7/16-20, 3.25 38 & 42" Deck	57	783-04536B	Pedal Support Bracket
	710-04607	Screw, 7/16-20, 2.75 46" Deck	58	683-04443	Rod, Belt Keeper (42" Deck)
28	714-0145	Pin, Click, .092 x 1.64		683-04414	Rod, Belt Keeper (46" Deck)
29	720-04049A	Grip, Handle, 3/8	59	736-0300	Washer, Flat, .406 x .875 x .059

NOTE: Tractor features vary by model. NOT all parts listed above and pictured on the previous page are standard equipment.

42" Deck



Ref. No.	Part No.	Description	Ref. No.	Part No.	Description
1	618-04456	Spindle Assembly, Pul, 6.3" Dia	28	734-0973†	Wheel, Deck 5.0 x 1.38
2	683-04138B	Brake Assembly, Deck	29	736-0119	Washer, Lock, 5/16
3	683-04165A	Deck Shell, 42" (w/o Wheel Brkt)	30	736-0270	Washer, Bell, .265 x .75 x .062
	683-04162A	Deck Shell, 42" (w/ Wheel Brkts.)	31	783-04740	Deck Engagement Cable Bracket
4	683-04167	Brake Assembly, Deck	32	736-0300	Washer, Flat, .406 x .875 x .059
5	683-04228	Brkt. Ass'y, Deck, Hanger LH	33	736-0225†	Washer, Lock, 5/8, Internal Tooth
6	710-3015	Screw, 1/4-20, .75, Gr5	34	736-0187†	Washer, Flat, .64 x 1.24 x .06
7	736-0267	Washer, Flat, .385 x .75 x .062	35	738-04166	Spacer, Shoulder, .5000 x .1475
8	710-0528	Screw, 5/16-18, 1.250	36	738-04146†	Plug, Screw, M16 x 1.5
9	710-04484	Screw, 5/16-18, 0.750	37	738-04162A	Spacer, Shoulder, .8840 x .190
10	710-3085	Screw, 3/8-16, 3.50, Gr5	38	742-0616A	Blade, 21.23", Star 3-in-1
11	710-0778	Screw, 1/4-20, 1.500	39	731-2363†	Mulch Plug
12	710-3008	Screw, 5/16-18, .75, Gr5	40	747-04379A	Control Rod, Brake
13	710-0134†	Carriage Screw, , 1/4-20 x .62	41	747-04269A	Deck Rod, Front Adjustable
14	737-04003C†	Deck Water Nozzle	42	748-04069	Pivot Cup, Deck Lift
15	712-3006	Nut, Hex, 1/4-20, Gr5	43	750-0566A	Spacer, .260 x .372 x 1.030
16	712-0417A	Nut, Flange, 5/8-18	44	754-04060B	Belt, V-Type
17	738-0373	Screw, Shldr, .498 x 1.53, 3/8-16	45	756-04129	Idler Pulley, 4.25" Dia.
18	712-04063	Nut, Flange Lock, 5/16-18, GrF	46	712-3087†	Wing Nut, 1/4-20
19	712-04065	Nut, Flange Lock, 3/8-16, GrF	47	783-04327B	Cover, Belt, 6.00 Dia.
20	712-0641†	Nut, Hex, M16-1.5	48	750-04446	Spacr, 3/8 ID x .68 OD x 1.46 Lg.
21	712-3083	Nut, Hex Lock, 1/2-13, Gr8	49	710-0347	Screw, 3/8-16 x 1.75
22	712-0206	Nut, Hex, 1/2-13, Gr5	50	731-1032B	Chute Assembly, Discharge
23	714-0104	Pin, Cot, .072 Dia. x 1.13 Lg	51	712-0229	Nut, Push, 3/8
24	717-04074	Gear, Deck Adjustment	52	710-0599†	Screw, 1/4-20, 0.500
25	726-0233	Nut, Push, .25 ID x .50 OD	53	783-1146A†	Deck Skirt
26	732-04280B	Spring, Exten., .75 Dia. x 6.375	54	721-04041†	Water Nozzle Adapt
27	732-04287	Spring, Exten., .50 Dia. x 6.375			

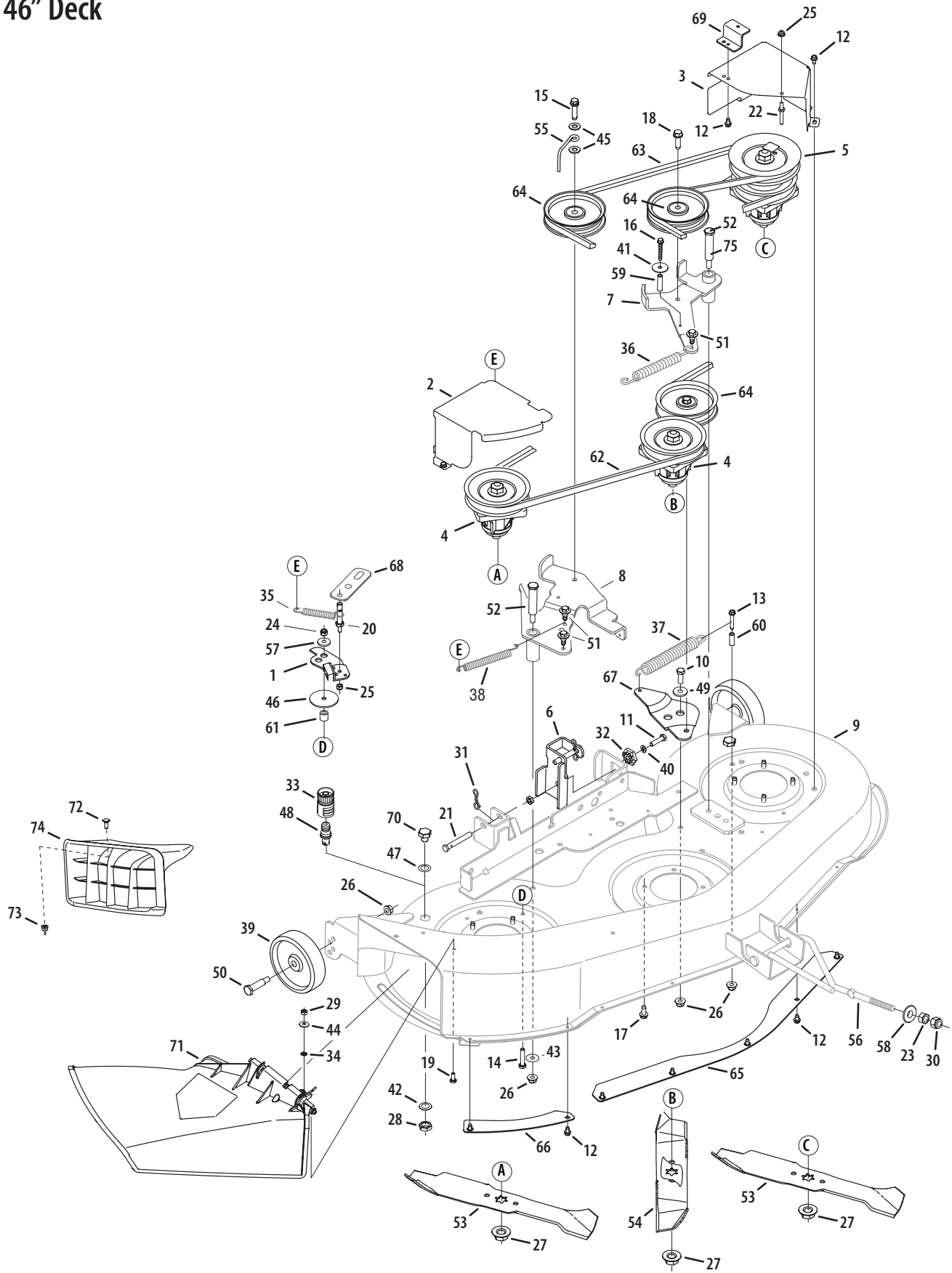
† If Equipped

IMPORTANT: For a proper working machine, use only Factory Approved Parts.

IMPORTANT: V-belts are designed to engage and disengage safely. A substitute (non OEM) V-belt can be dangerous by not disengaging completely.

NOTE: Tractor features vary by model. NOT all parts listed above and pictured on the previous page are standard equipment.

46" Deck

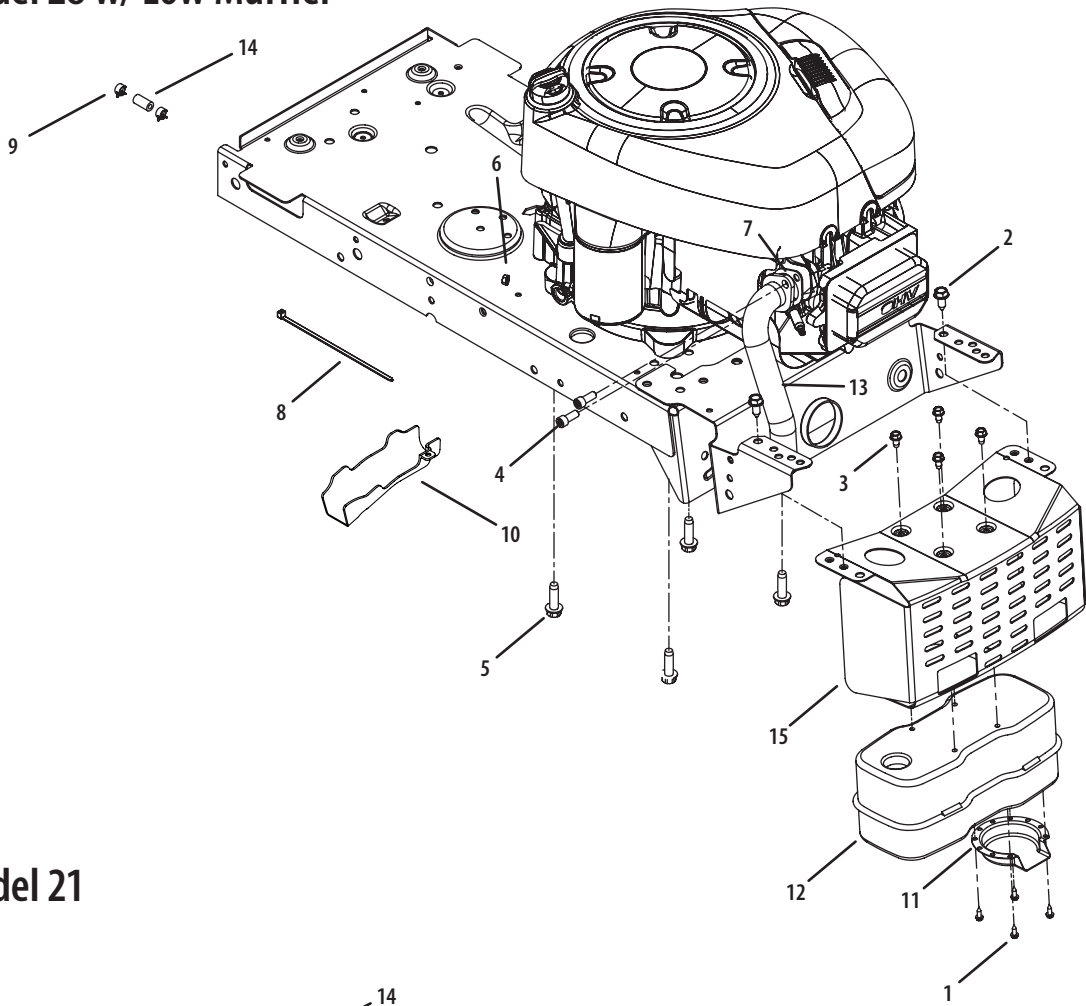


Ref. No.	Part No.	Description	Ref. No.	Part No.	Description
1	17116	Deck Brake Assembly	39	734-0973	Deck Wheel 5.0 x 1.38
2	17258E	Deck Belt Cover RH	40	736-0119	Lock Washer, 5/16
3	783-1348D	Deck Belt Cover LH	41	736-0211	Flat Washer, .285 x 1.25 x .06
4	618-0240A	Spindle Assembly	42	736-0225	Lock Washer, 5/8 Int. Tooth
5	618-04134B	Double Pulley Spindle Assy.	43	736-0258	Flat Washer, .385 x 1.0 x .135
6	683-0254B	Deck Hanger Bracket Assy.	44	736-0270	Bell Washer, .265 x .75 x .062
7	683-04250A	Idler Bracket Assembly LH	45	736-0300	Flat Washer, .406 x .875 x .059
8	683-04251A	Idler Bracket Assembly RH	46	736-0418A	Flat Washer, .406 x .875 x .059
9	683-04413	Deck Assembly	47	736-0187	Flat Washer, .64 x 1.24 x .06
10	710-0514	Hex Screw, 3/8-16 x 1.00	48	737-04003C †	Deck Water Nozzle
11	710-0528	Hex Screw, 5/16-18 x 1.25	49	738-0347	Shoulder Spacer, .625 ID x .169
12	710-0599	Screw, 1/4-20 x .50	50	738-0373	Shoulder Bolt .496 x 1.525: 3/8-16
13	710-0778	Screw, 1/4-20 x 1.50	51	738-04091A	Shoulder Screw .43 x .29:5/16-18
14	710-0805	Hex Screw, 5/16-18 x 1.50	52	710-04754	Shoulder Bolt .625 x 2.515: 3/8-16
15	710-1007	Sems Screw, 3/8-16 x 1.50	53	742-0611A	Blade, 3 in 1 star, 16.28" Lg.
16	710-1026	Screw, 1/4-20 x 1.75	54	742-0612A	Blade, 3 in 1 star, 14.88" Lg.
17	710-1260A	Screw, 5/16-18, .750	55	747-04530	Belt Keeper Rod
18	710-1315	Screw, 3/8-16, x 1.25	56	747-04645	Front Deck Adjustment Rod
19	710-3015	Screw, 1/4-20 x .75	57	748-0234	Shoulder Spacer
20	711-04636	Pin, 1/4-20: 3/8 x 2.685	58	748-04069	Deck Lift Pivot Cup
21	711-04669	Clevis Pin, 3/8 dia. x 2.75	59	750-04456	Spacer, .260 x .372 x 1.420 Lg.
22	711-0993	Belt Guard Pin, 1/4 x 1.43 Lg.	60	750-0566A	Spacer, .260 x .372 x 1.030 Lg.
23	712-0206	Hex Nut, 1/2-13	61	750-1320	Spacer, .375 x .63 x .595 Lg.
24	712-04063	Flange Lock Nut, 5/16-18	62	754-0349	V-Belt, 79.10 Lg.
25	712-04064	Flange Lock Nut, 1/4-20	63	754-04142	V-Belt, 91.4 Lg.
26	712-04065	Flange Lock Nut, 3/8-16	64	756-04129	Idler Pulley, 4.25" dia.
27	712-0417A	Flange Nut, 5/8-18	65	783-0141	Center Deck Skirt
28	712-0641	Hex Nut, M16-1.5	66	783-0142	RH Deck Skirt
29	712-3006	Hex Nut, 1/4-20	67	783-04641A	Idler Bracket
30	712-3083	Hex Lock Nut, 1/2-13	68	783-05321	Brake Bracket
31	714-04043	Bow-Tie Cotter Pin	69	783-05360	Deck Stop Bracket
32	717-04074	Deck Adjustment Gear	70	738-04146	Bolt Plug, M16 x 1.5
33	721-04041 †	Water Nozzle Adapter	71	731-1032B	Discharge Chute
34	726-0233	Push Nut, .25 ID x .50 OD	72	710-0134 †	Carriage Screw, 1/4-20 x .62
35	732-0429A	Extension Spring, .50 x 3.97 Lg.	73	712-3087 †	Wing Nut, 1/4-20
36	732-04400	Extension Spring, .75 x 6.835 Lg.	74	731-05264 †	Mulch Plug, 46" Deck
37	732-0594A	Extension Spring, .91 x 7.33 Lg.	75	750-04999	Spacer, .380 x .625 x 2.515 Lg.
38	732-0814	Extension Spring, .56 x 5.52 Lg.			

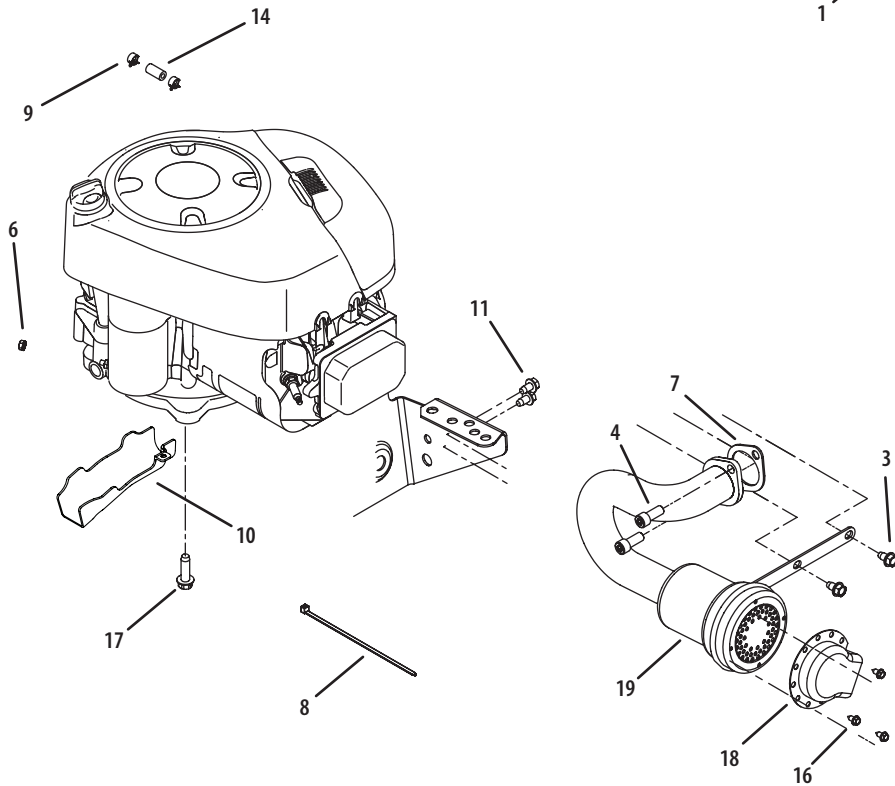
† If Equipped

IMPORTANT: For a proper working machine, use only Factory Approved Parts.**IMPORTANT:** V-belts are designed to engage and disengage safely. A substitute (non OEM) V-belt can be dangerous by not disengaging completely.**NOTE:** Tractor features vary by model. NOT all parts listed above and pictured on the previous page are standard equipment.

B&S Model 28 w/ Low Muffler



B&S Model 21

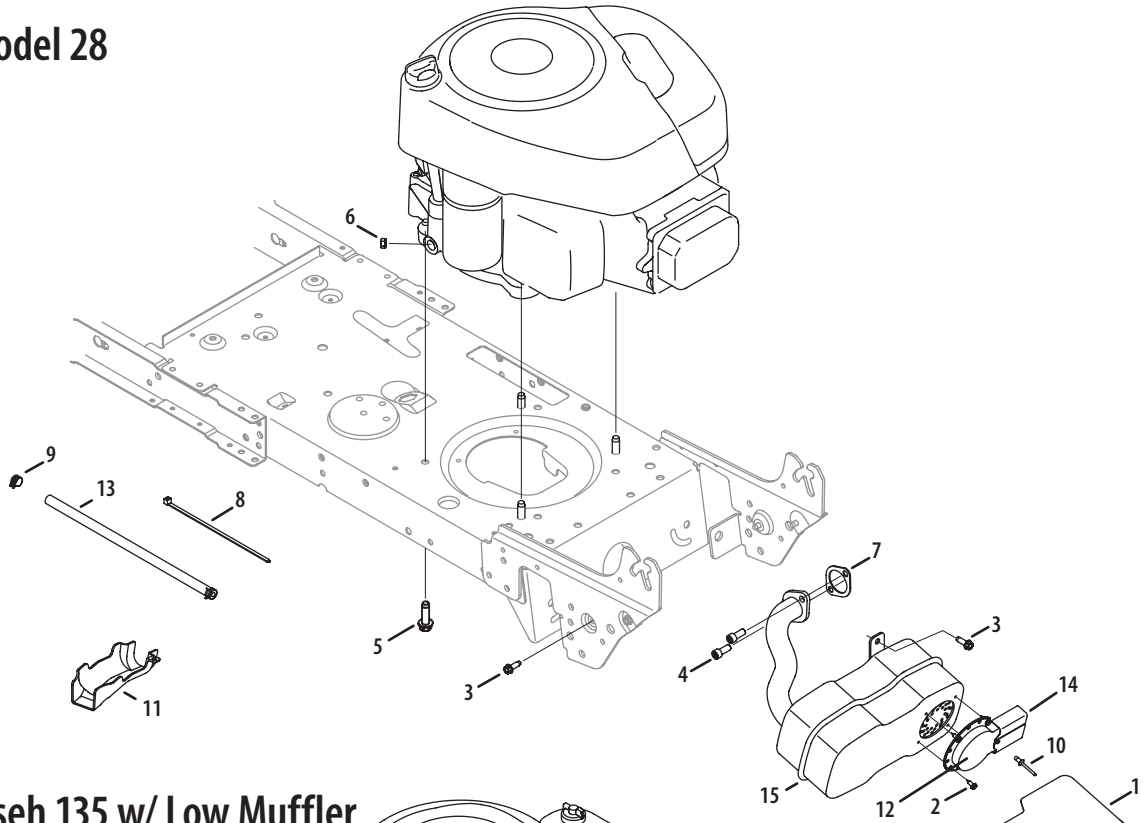


B&S Model 28 w/ Low Muffler & Model 21

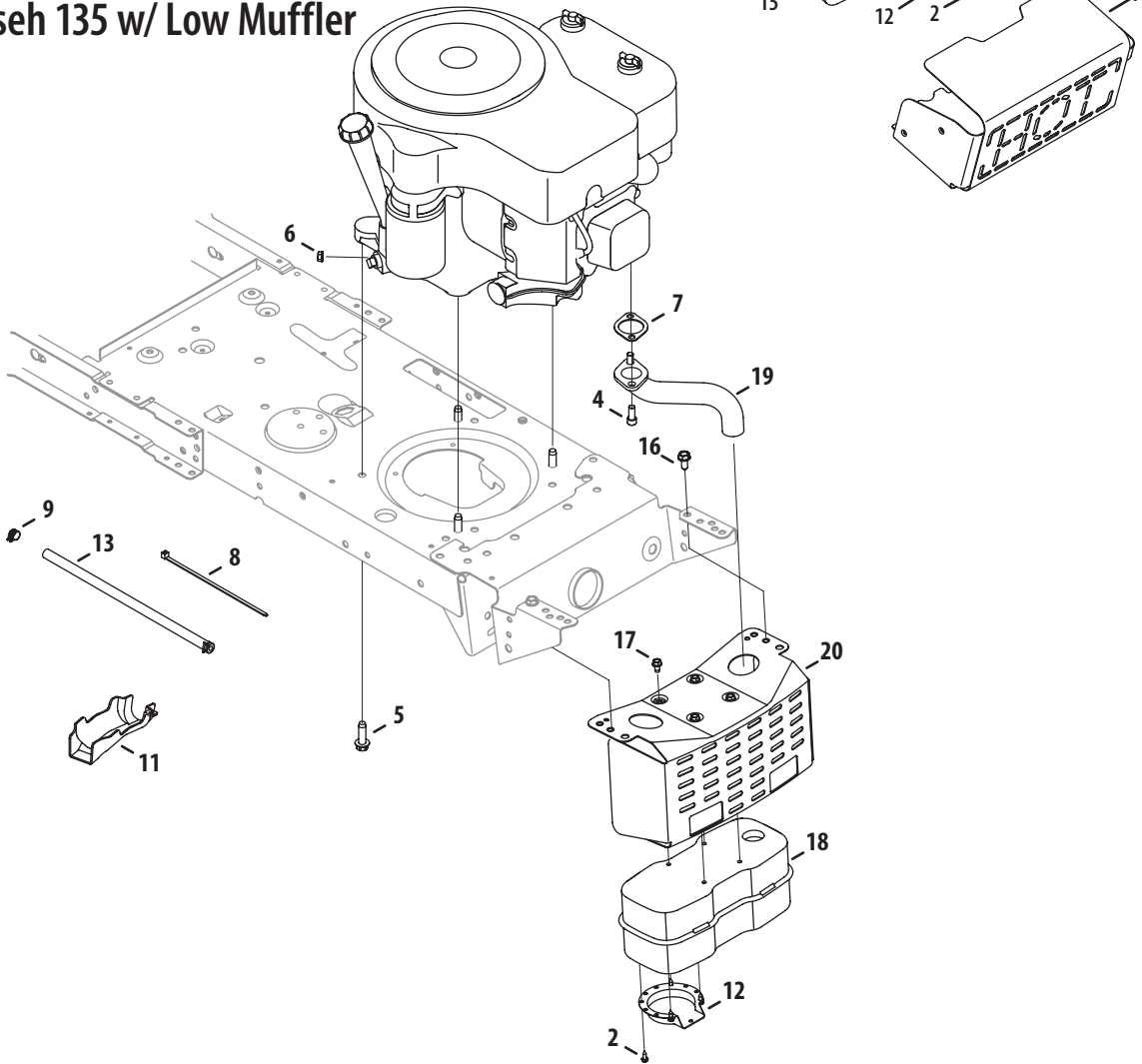
Ref. No.	Part No.	Description
1	710-0227	Screw, #8-18 x .50
2	710-04484	Self-tapping Screw, 5/16-18, .750
3	710-0599	Screw, 1/4-20, 0.500
4	710-1314A	Socket Cap Screw, 5/16-18, .625
5	710-1315	Screw, 3/8-16, 1.25
6	712-0271	Hex Sems Nut, 1/4-20
7	721-0208	Exhaust Gasket
8	725-0157	Cable Tie, 7.4"
9	726-0205	Hose Clamp, .490
10	731-05628	Oil Drain Sleeve
11	751-0564B	Muffler Deflector
12	751-0617B	Muffler, Single Inlet
13	751-0619A	Exhaust Pipe
14	751-10349	Fuel Line Hose
15	783-0615E	Muffler Heat Shield
16	710-1502	Screw, #8-18 x .375
17	710-04683	Self-tapping Screw, 3/8-16, 1.00
18	751B222261	Muffler Deflector
19	751-9986A	Muffler, Bug

NOTE: Tractor features vary by model. NOT all parts listed above and pictured on the previous page are standard equipment.

B&S Model 28



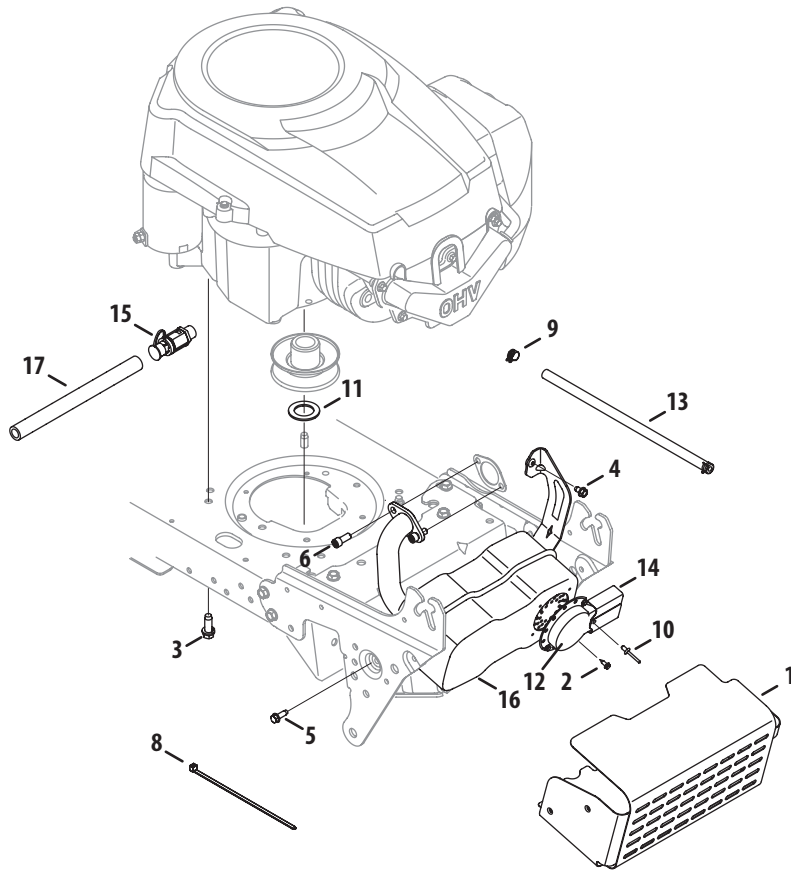
Tecumseh 135 w/ Low Muffler



B&S Model 28 & Tec. 135 w/ Low Muffler

Ref. No.	Part No.	Description
1	683-04370	Muffler Shield Assembly
2	710-0227	Screw, #8-18 x .50
3	710-0642	Self-tapping Screw, 1/4-20, .750
4	710-1314A	Socket Cap Screw, 5/16-18, .625
5	710-1315	Self-tapping Screw, 3/8-16, 1.250
6	712-0271	Hex Sems Nut, 1/4-20
7	721-0208	Exhaust Gasket
8	725-0157	Cable Tie, 7.4"
9	726-0205	Hose Clamp, .490
10	728-04000	Pop Rivet, .188 x .300
11	731-05628	Oil Drain Sleeve
12	751-0564B	Muffler Deflector
13	751-10349	Fuel Line Hose
14	751-10353	Muffler Deflector, Long
15	751-10448	Muffler
16	710-04484	Self-tapping Screw, 5/16-18, .750
17	710-0599	Screw, 1/4-20, 0.500
18	751-0617B	Muffer, Single Inlet
19	751-0622A	Exhaust Pipe
20	783-0615E	Muffler Heat Shield

NOTE: Tractor features vary by model. NOT all parts listed above and pictured on the previous page are standard equipment.



Ref. No.	Part No.	Description
1	683-04370	Muffler Shield Assembly
2	710-0227	Screw, #8-18 x .50
3	710-04683	Self-tapping Screw, 3/8-16, 1.00
4	710-0599	Screw, 1/4-20, 0.500
5	710-0642	Self-tapping Screw, 1/4-20, .750
6	710-1314A	Socket Cap Screw, 5/16-18, .625
7	721-0208	Exhaust Gasket
8	725-0157	Cable Tie, 7.4"
9	726-0205	Hose Clamp, .490
10	728-04000	Pop Rivet, .188 x .300
11	751-0564B	Muffler Deflector
12	751-10349	Fuel Line Hose
13	751-10353	Muffler Deflector, Long
14	751-10517	Oil Drain
15	751-10529	Muffler
16	751-3141	Oil Drain Extension Hose

NOTE: Tractor features vary by model. NOT all parts listed above and pictured on the previous page are standard equipment.



To order replacement parts or locate your nearest service dealer call a Customer Support at (800) 800-7310.
or visit www.mtdproducts.com to find the nearest authorized dealer in your area.

MTD LLC, P.O. BOX 361131 CLEVELAND, OHIO 44136-0019
